

PRIMAVERA P6 PPM ACTIVITY NETWORK VIEW

1 Introduction

The **Activity Network** view, also known as the **PERT** View (Program (or Project) Evaluation and Review Technique), displays activities as boxes connected by the relationship lines.

Activities may be added, deleted and linked in this view in the same way as in the Gantt Chart View.

2 Aim

The aim of this paper is to explain how to use the **Activity Network** view and is an extract from the book 99 Tricks and Traps for Oracle Primavera P6 PPM Professional explaining how to use the **Activity Network** View:

3 Viewing Relationships in Selected WBS Nodes

One of the main advantages of this view over the Gantt Chart is the ability to select two non-adjacent WBS Nodes and P6 will only display the activities associated with the selected nodes making it simple to check relationships in non-adjacent parts of the project.




WBS Code	WBS Name
EC00515	City Cent
EC00515.D&E	Design a
EC00515.Found	Foundati
EC00515.Structure	Structure
EC00515.Mechanical	Mechanik
EC00515.Ex-Finish	Exterior f
EC00515.Int-Finish	Interior F
EC00515.Int-Finish Plumbing	Plumbing
EC00515.Int-Finish Floor anc	Floor anc
EC00515.Int-Finish Carpentr	Carpent
EC00515.Int-Finish Paint	Paint

EC00515.Int-Finish.Fixtures Plu	
EC1810 Install Plumbing Fixtures 03-Jun-13 10-Jun-13	EC1760 Install Lighting Fixtures 08-Apr-13 17-Apr-13
EC00515.Int-Finish.Carp Carpe	
EC1740 Install Ceiling Grid 27-Mar-13 16-May-13	

NOTE: This is similar to the way Asta users are able to select Summary activities in the Project View and only see the activities associated with the selected Summary activities.

4 Viewing a Project Using the Activity Network View

To view your project in the **Network View** either:

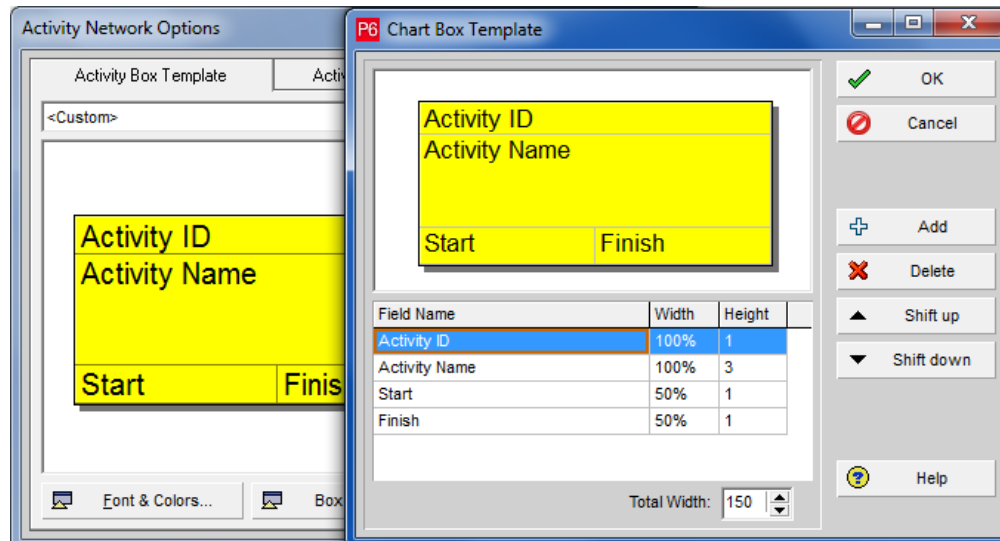
- ❖ Click on the **Top Layout** toolbar  button, or
- ❖ Select **View, Show on Top, Activity Network**.

5 Formatting the Activity Boxes

Activity Boxes may be formatted from the **Activity Network Options** form, which may be displayed when the Activity Network View is displayed.

The formatting affects both the **Trace Logic** and **Activity Network Window** formatting for the layout that is being formatted:

- ❖ Select **View, Activity Network, Activity Network Options...**, or
- ❖ Right-click in the PERT area and select **Activity Network Options...**:



6 Reorganizing the Activity Network

Activities in the **Activity Network** view may be repositioned by dragging.

There are two functions available when right-clicking in the **Activity Network** view:

- ❖ **Reorganize** will reposition activities that have not been manually positioned, and
- ❖ **Reorganize All** will reposition all activities including those that have been manually positioned.

7 Saving and Opening Activity Network Positions

When activities are manually dragged into new positions on the screen for presentation purposes, it is possible to save and reload these positions after exiting the View.

These revised positions will be forgotten when you exit the **Activity Network View** and you must save the positions if you wish to see the activities in the same position again:

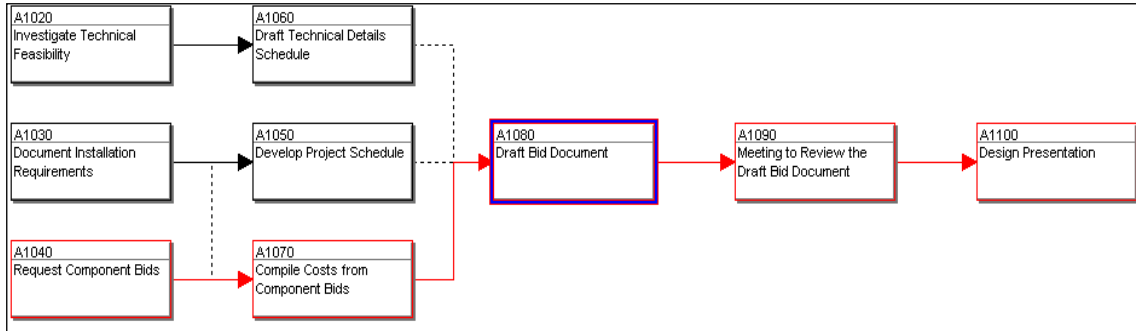
- ❖ **View, Activity Network, Save Network Positions...** will create an ***.ANP** file, and
- ❖ **View, Activity Network, Open Network Positions...** will enable an ***.ANP** file to be located and loaded which will reposition the activities as they were saved.



8 View Trace Logic

The Trace Logic option is displayed only in the bottom window and allows the selection of a number of predecessor and successor levels.

- ❖ This is achieved by selecting **View, Show on Bottom, Trace Logic**.



- ❖ To select the number of levels of predecessors to be displayed you are required to open the **Trace Logic Options** form.
- ❖ The form is then opened by right-clicking in the lower pane and selecting **Trace Logic Options.....**

Paul E Harris

Director Eastwood Harris Pty Ltd

28 July 2021

